

Compact Valve Automation



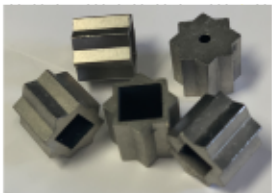
sales@valvsys.com

www.valvsys.com

513.870.1234



- **Stainless Steel Cam Shaft**
- **Heavy Duty PSC AC Motors**
Also, 12/24 vdc motors. And 230Vac, 24Vac, 24Vdc brushless.
- **High Strength Alloy Steel Gears**
- **Cast Aluminum Base with corrosion undercoat**
- **ISO 5211 Mounting Pad F05-F07**
Standard mounting means direct mount of ISO valves.
- **Nema 4, 4X Housing**
- **Quarter turn automation**
- **350 - 1500inlbs**
- **Ball Bearing Reliability**
Ball bearings on both the upper and lower AC motor shaft provide greater reliability than plain bearings do.
- **Stainless Steel Cover Bolts**
- **Potting**
Optional sealed leads prevents ingress of moisture through the conduit entry.
- **Two 1/2NPT**
Specify X2 for a DIN connector.
- **Cams Allow 90°-270° Rotation**
- **Ideal for ball valve automation.**
Paired with your favorite ball valve, the NV series is a perfect replacement for most solenoid valve applications that require more flow.
- **Optional heater / thermostat**
Helps prevent condensation buildup inside the actuator during outdoor applications.
- **Optional servo control.**
Allows for positioning between 0 and 90°. 4*20mA or 0-10Vdc inputs.



Inserts for direct mounting



- **Battery Backups**
Check out the "solutions" page on our website for the many controls such as timers and other options we can add to your automation process.

- **Relays, sensors, feedback....**
Check out the "solutions" page on our website for the many options we can add to your automation process.



©2022 Valvsys, LLC All rights reserved.

B00162

While the information contained in this literature is believed to be accurate, it is supplied for informative purposes only and should not be considered certified or as a guarantee of satisfactory results by reliance thereon. Nothing contained herein is to be construed as a warranty or guarantee, express or implied, regarding any matter with respect to this product. Products may differ as the result of Valvsys, LLC policy of continuous product improvement

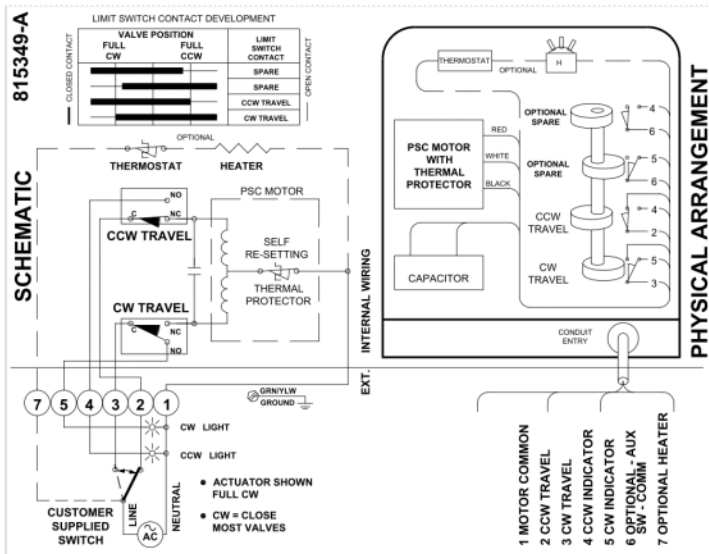
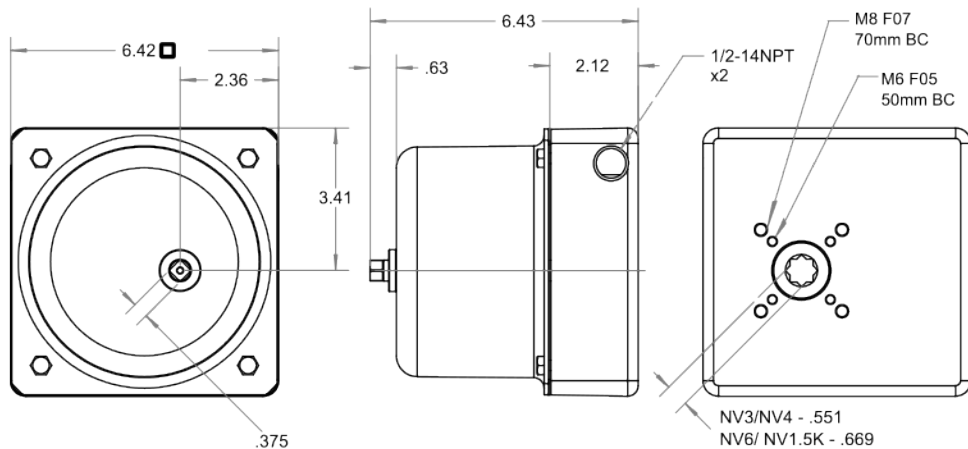
Compact Valve Automation

sales@valvsys.com

www.valvsys.com

513.870.1234

Model	Output Torque		Speed Sec/90°			Current Amps			Weight	
	in-lbs	N-m	115Vac	12vdc	24vdc	115Vac	12vdc	24vdc	Lbs	Kg
NV3	350	40	5	5	5	0.6	1.6	1	9	4
NV4	425	54	5	5	5	0.6	1.6	1	9	4
NV6	625	71	11	11	11	0.6	1.6	1	9	4
NV7	725	82	11	11	11	0.7	1.6	1	11	5
NV1K	1000	114	11	11	11	0.9	1.8	1.4	11	5
NV1.5K	1500	170	30	30	30	0.5	2	1.6	12	5



Typical AC actuator wiring. Check inside the actuator cover as your wiring may be different.

NV - HOW TO ORDER

Optional Adders* **C2 T1 H1**

Ordering Code: NV 1K S1 V1 C2 T1 H1

Torque

- 3 = 350inlbs (39Nm)
- 4 = 475inlbs (54Nm)
- 6 = 625inlbs (71Nm)
- 7 = 725inlbs (82Nm)
- 1K = 1000inlbs (114Nm)
- 1.5K = 1500inlbs (170Nm)

Duty Cycle

- S1 = 75% } AC Motors
- S2 = 25% }
- S3 = 100% - DC Motors

Supply Voltage

- V1 = 120Vac
- V3 = 230Vac
- V7 = 24Vac
- V8 = 12Vdc
- V9 = 24Vdc
- V21 = 24Vdc brushless

*Not all options are mutually compatible.

Extra Options

- H1 = heater
- J2 = sealed Leads
- J3 = breather and drain
- J9 = 3 wire DC schematic
- M14 = 14mm insert
- M17 = 17mm insert
- X2 = 3 pole DIN connector
- X3 = 5 pole DIN connector

Control/Feedback

- P1 = 1k potentiometer
- P2 = 5k potentiometer
- P3 = 10k potentiometer
- R1 = cycle length control
- R3 = time delay
- R30 = 30 sec cycle time
- T1 = 4-20mA servo
- T3 = 3 position

Switches

- C2 = two extra dry contact switches
- C4 = four extra dry contact switches

example: NV4S3V8C2J9X3
NV series, 475inlbs, 12Vdc, 100% duty, two extra switches, 3-wire hookup, 5 pole DIN connector