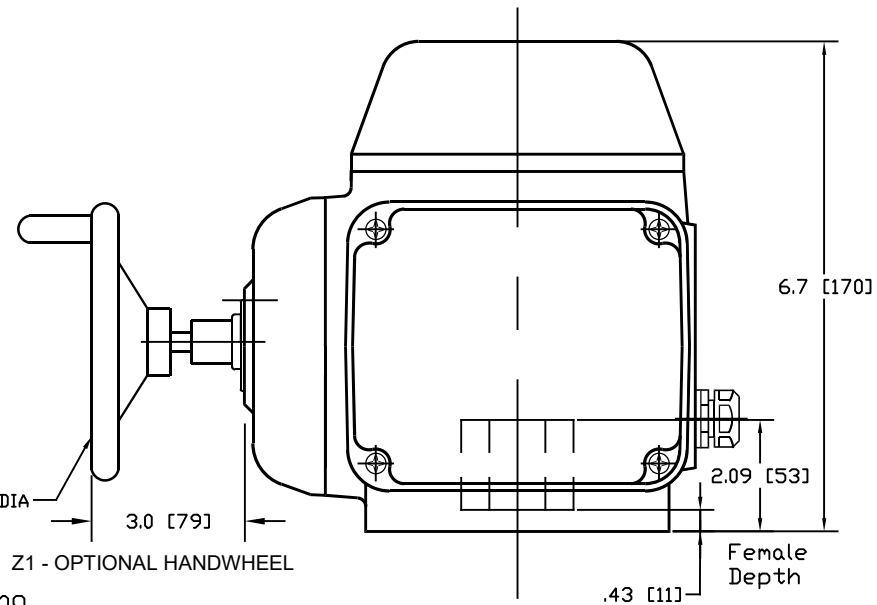
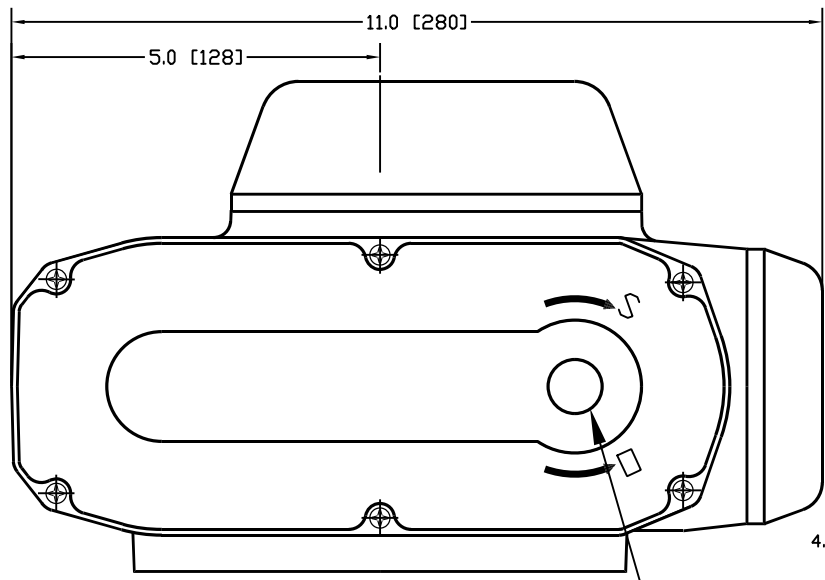
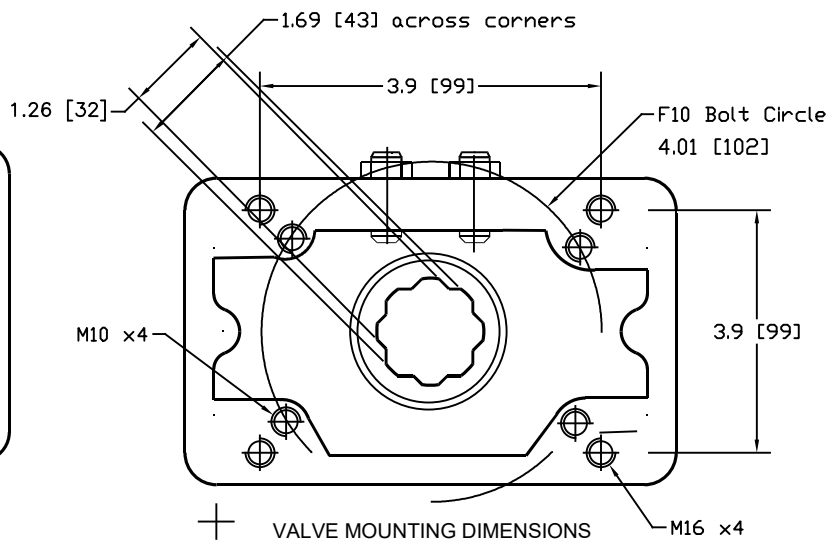
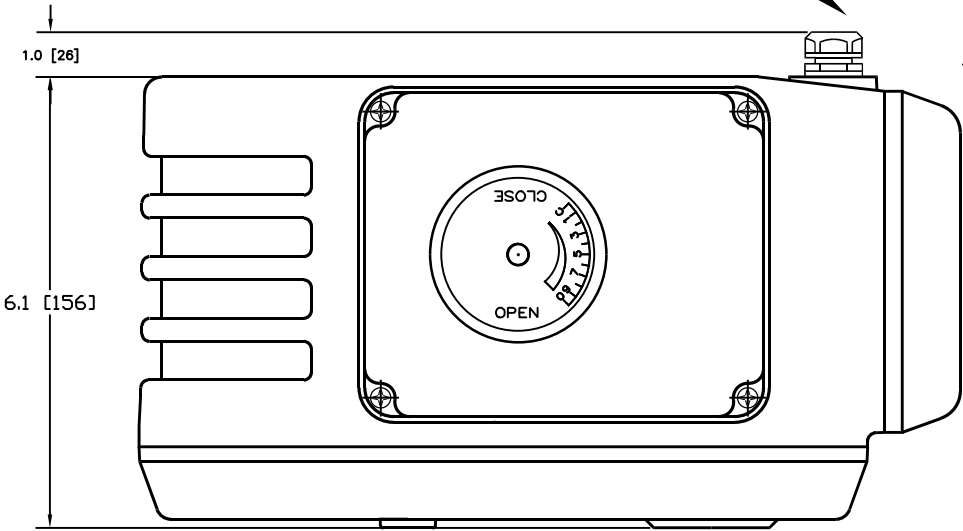


800162

1/2NPT Cable Gland



Direct Acting Manual Override

NL8.8K (8800inlbs - 1000Nm)
 NL17.6K (1760inlbs - 2000Nm)

CONVERT DIM FROM MM

NAME	NL8.8K thru NL17.6K Electric Actuators	DWN.	BF	CHKD.	
			10.12.03		800162
				REV.	C
	421 Bredden Dr STE 15 Monroe, La 70505 (513) 539-1234 Fax: (513) 539-2176			SCALE	
THE DESIGN AND DISCLOSURE CONTAINED IN THIS DRAWING WAS ORIGINATED BY, AND IS THE EXCLUSIVE PROPERTY OF VALVSY'S LLC. IT IS FURNISHED FOR VENDOR INFORMATION ONLY AND IS NOT AN AUTHORIZATION -OR- LICENSE TO MAKE THIS CONSTRUCTION OR TO FURNISH THIS INFORMATION TO OTHERS. ALL DRAWINGS MUST BE RETURNED TO VALVSY'S LLC ON DEMAND. THIS DRAWING IS NOT TO BE REPRODUCED OR COPIED IN ANY FORM WITHOUT THE EXPRESS WRITTEN PERMISSION OF VALVSY'S LLC.		TOLERANCE UNLESS OTHERWISE SPECIFIED: TWO PLACE DECIMAL DIM. +/- 0.02 THREE PLACE DECIMAL DIM. +/- 0.010 ANGULAR DIM. +/- 0° -30°		DD-NDT SCALE DRAWINGS	