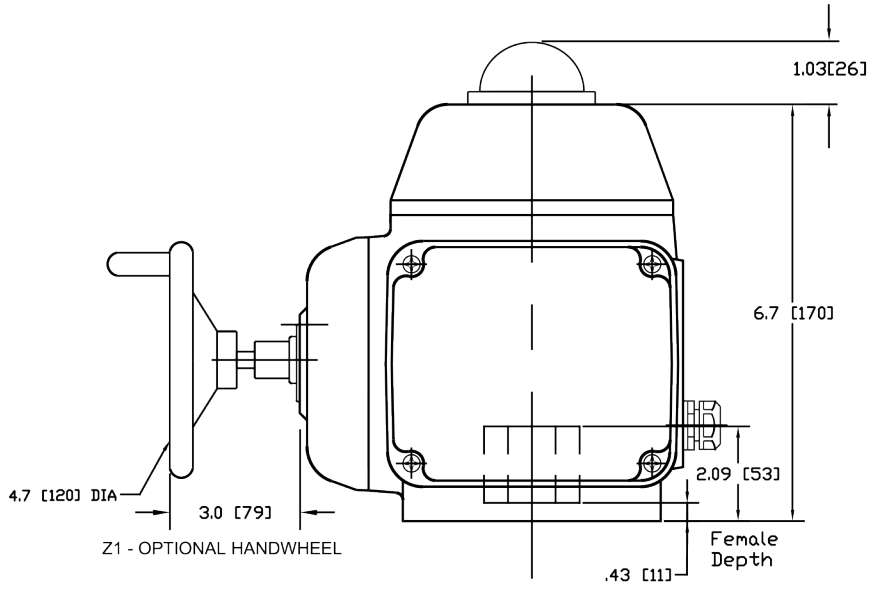
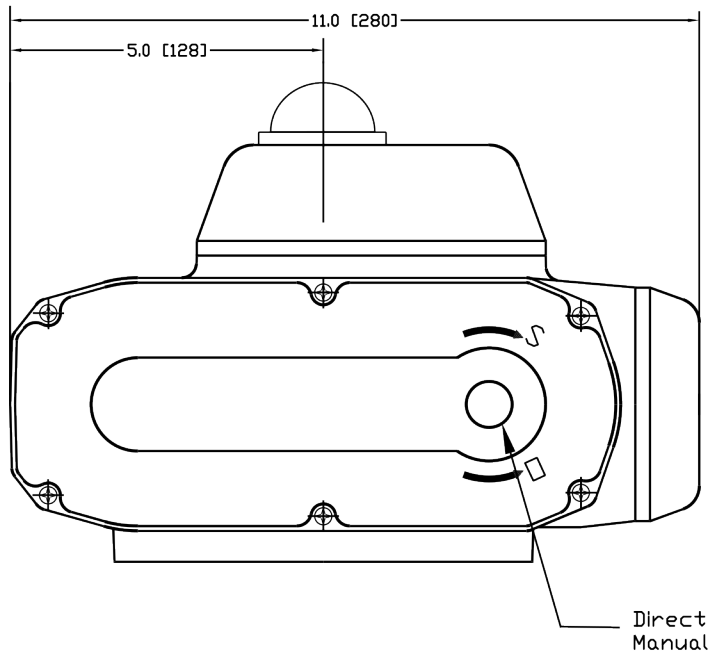
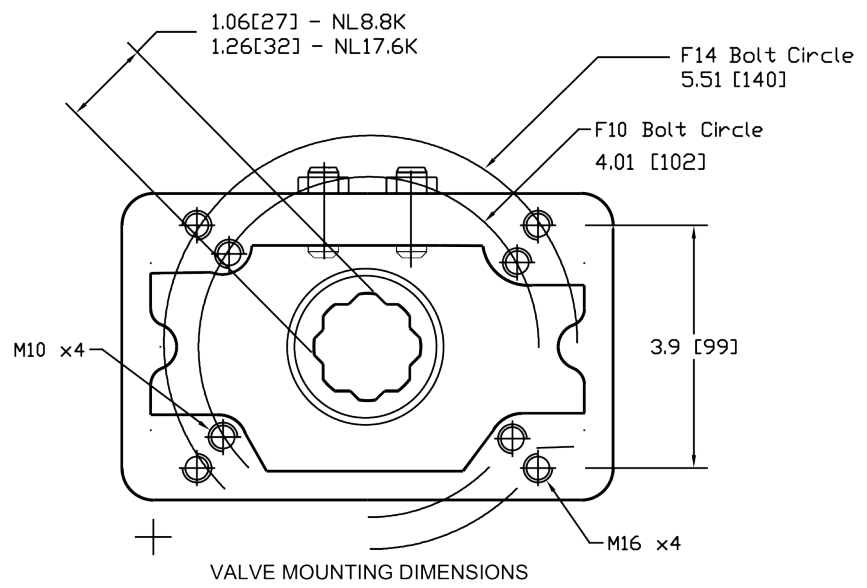
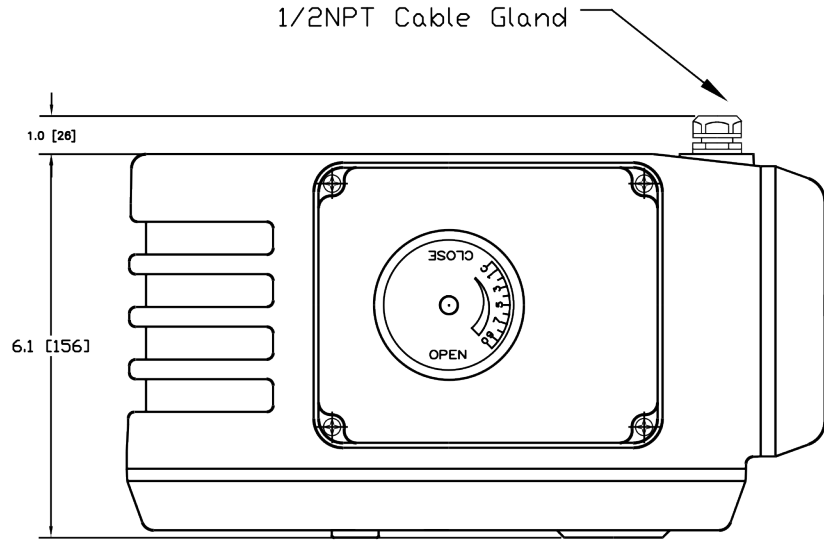


800162



NL8.8K (8800inlbs - 1000Nm)
NL17.6K (1760inlbs - 2000Nm)

CONVERT DIM FROM MM

| | | | | | | |
|--|---|--|----------|-----------------------|-------|---------------|
| NAME | NL8.8K thru NL17.6K Electric Actuators | DWN. BF | 10.12.03 | CHKD. | | 800162 REV |
| | WWW.VALVSY.COM | | | REV. D | SCALE | |
| THE DESIGN AND DISCLOSURE CONTAINED IN THIS DRAWING WAS ORIGINATED BY, AND IS THE EXCLUSIVE PROPERTY OF VALVSY LLC. IT IS FURNISHED FOR VENDOR INFORMATION ONLY AND IS NOT AN AUTHORIZATION -OR- LICENSE TO MAKE THIS CONSTRUCTION OR TO FURNISH THIS INFORMATION TO OTHERS. ALL DRAWINGS MUST BE RETURNED TO VALVSY LLC ON DEMAND. THIS DRAWING IS NOT TO BE REPRODUCED OR COPIED IN ANY FORM WITHOUT THE EXPRESS WRITTEN PERMISSION OF VALVSY LLC. | | TOLERANCE UNLESS OTHERWISE SPECIFIED: TWO PLACE DECIMAL DIM. +/- 0.02 THREE PLACE DECIMAL DIM. +/- 0.010 ANGULAR DIM. +/- 0° -30° | | DD NOT SCALE DRAWINGS | | |