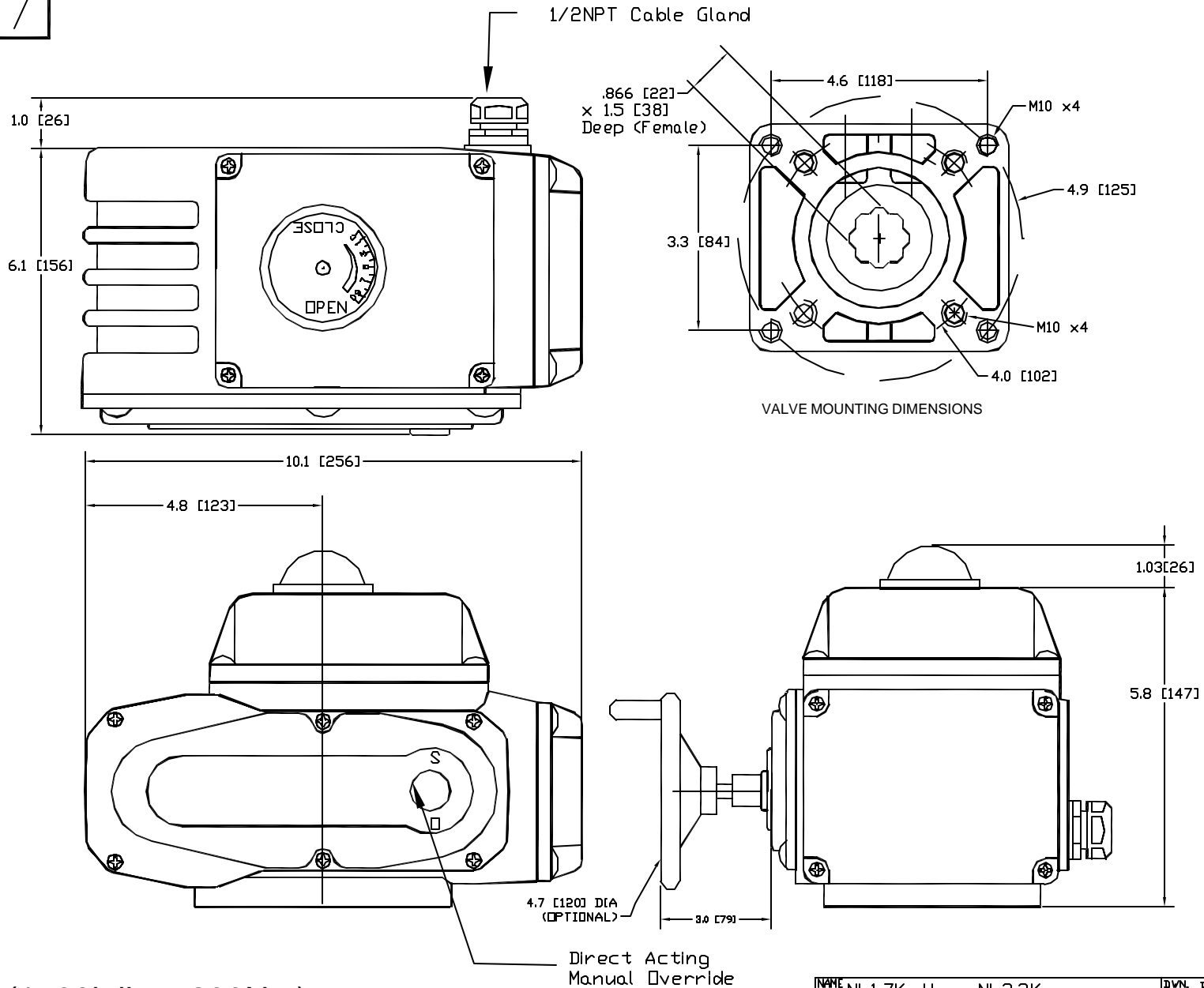


800227



NL1.7K (1760inlbs - 200Nm)
NL2.2K (2200inlbs - 250Nm)

CONVERT DIM FROM MM

NAME	NL1.7K thru NL2.2K Electric Actuators	DWN	BF	CHKD.	
			12.14.06		800227
				REV.	
	421 Broaden Dr STE 15 Monroe, Ohio 45050 (513) 539-1234 Fax: (513) 539-2176			SCALE	
THE DESIGN AND DISCLOSURE CONTAINED IN THIS DRAWING WAS ORIGINATED BY, AND IS THE EXCLUSIVE PROPERTY OF VALVSYS LLC. IT IS FURNISHED FOR VENDOR INFORMATION ONLY AND IS NOT AN AUTHORIZATION -OR- LICENSE TO MAKE THIS CONSTRUCTION OR TO FURNISH THIS INFORMATION TO OTHERS. ALL DRAWINGS MUST BE RETURNED TO VALVSYS LLC ON DEMAND. THIS DRAWING IS NOT TO BE REPRODUCED OR COPIED IN ANY FORM WITHOUT THE EXPRESS WRITTEN PERMISSION OF VALVSYS LLC.				TOLERANCE UNLESS OTHERWISE SPECIFIED: TWO PLACE DECIMAL DIM. +/- .002 THREE PLACE DECIMAL DIM. +/- .0010 ANGULAR DIM. +/- 0° -30'	
				DO NOT SCALE DRAWINGS	

800227
REV1