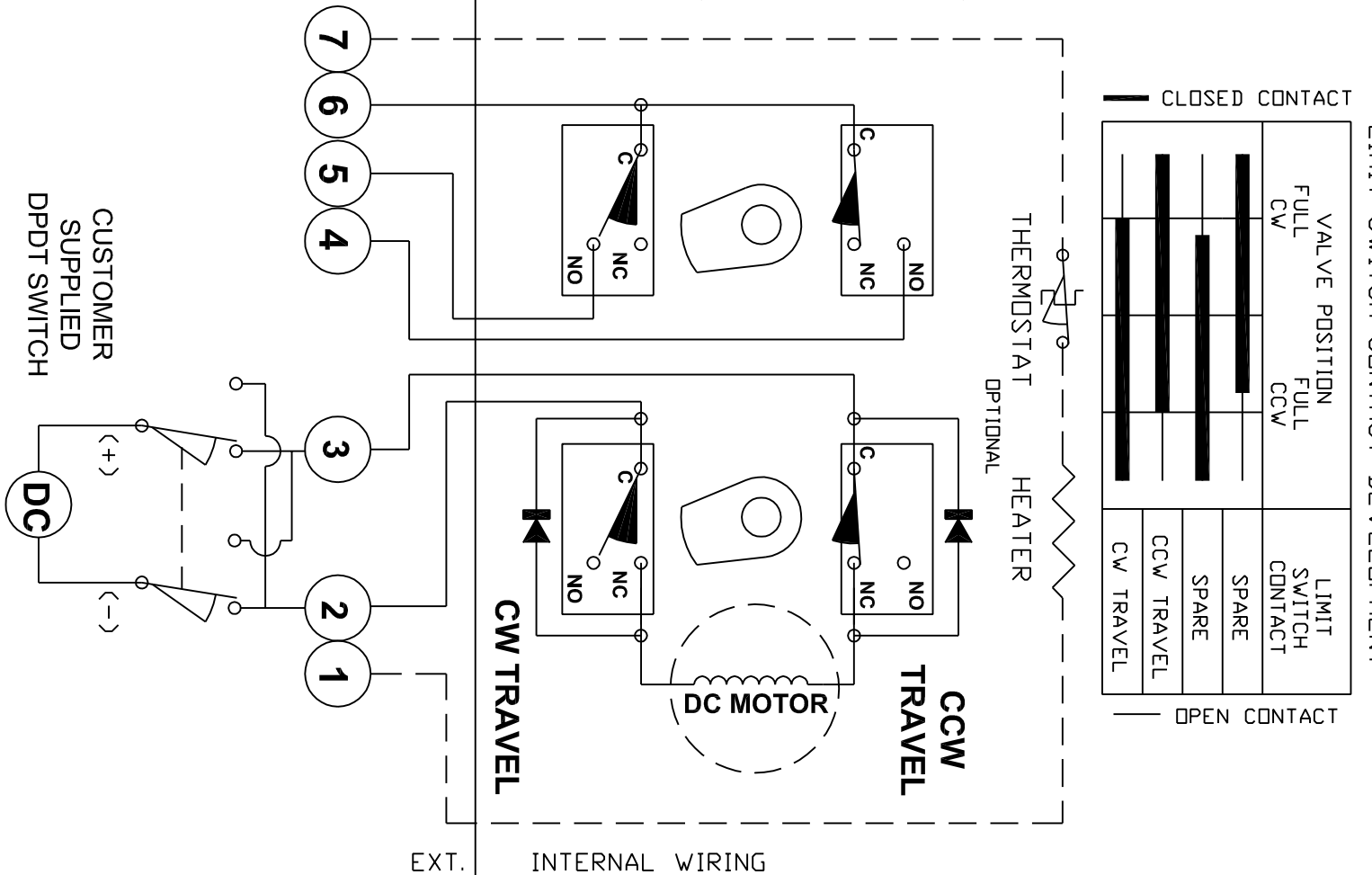
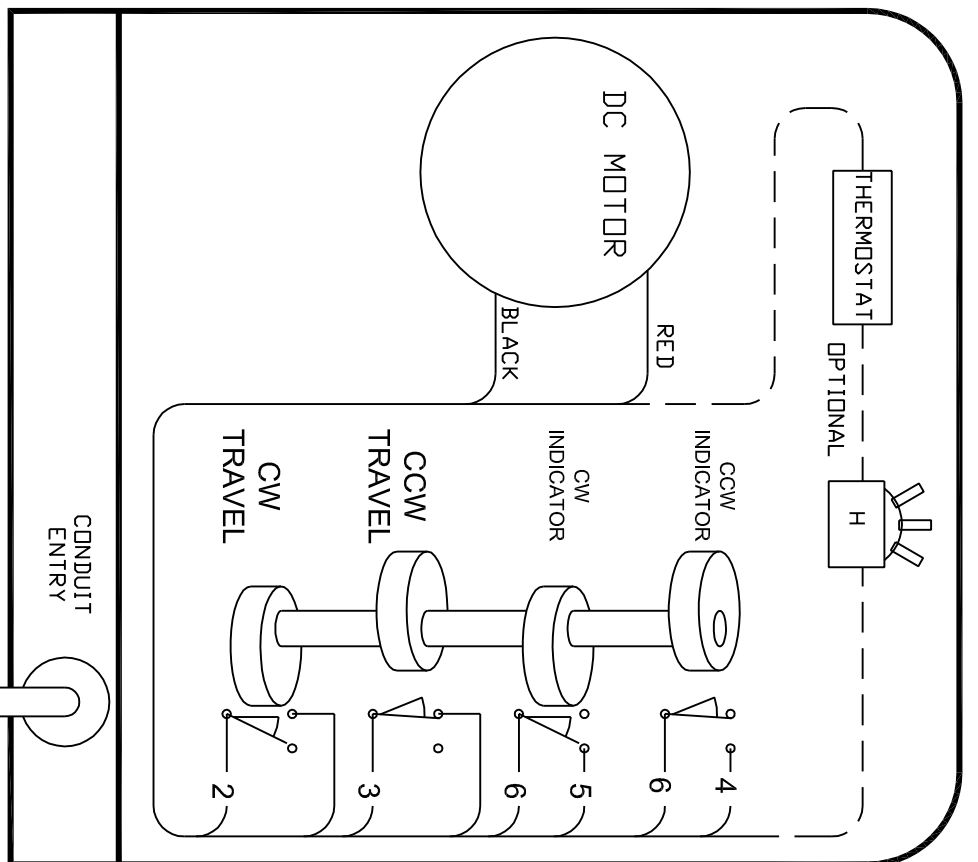


# SCHEMATIC

815336-B



- 1 Optional Heater
- 2 BLACK MOTOR
- 3 RED MOTOR
- 4 OPEN
- 5 CLOSE
- 6 COMMON
- 7 Optional Heater



# PHYSICAL ARRANGEMENT