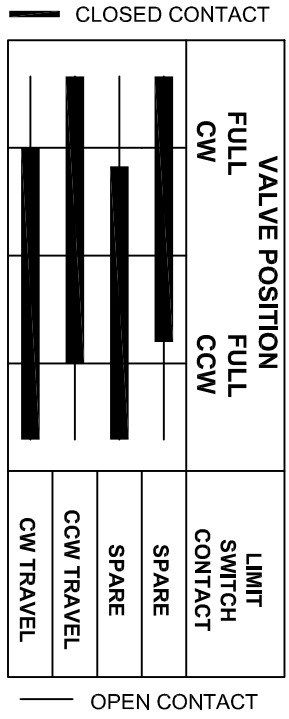
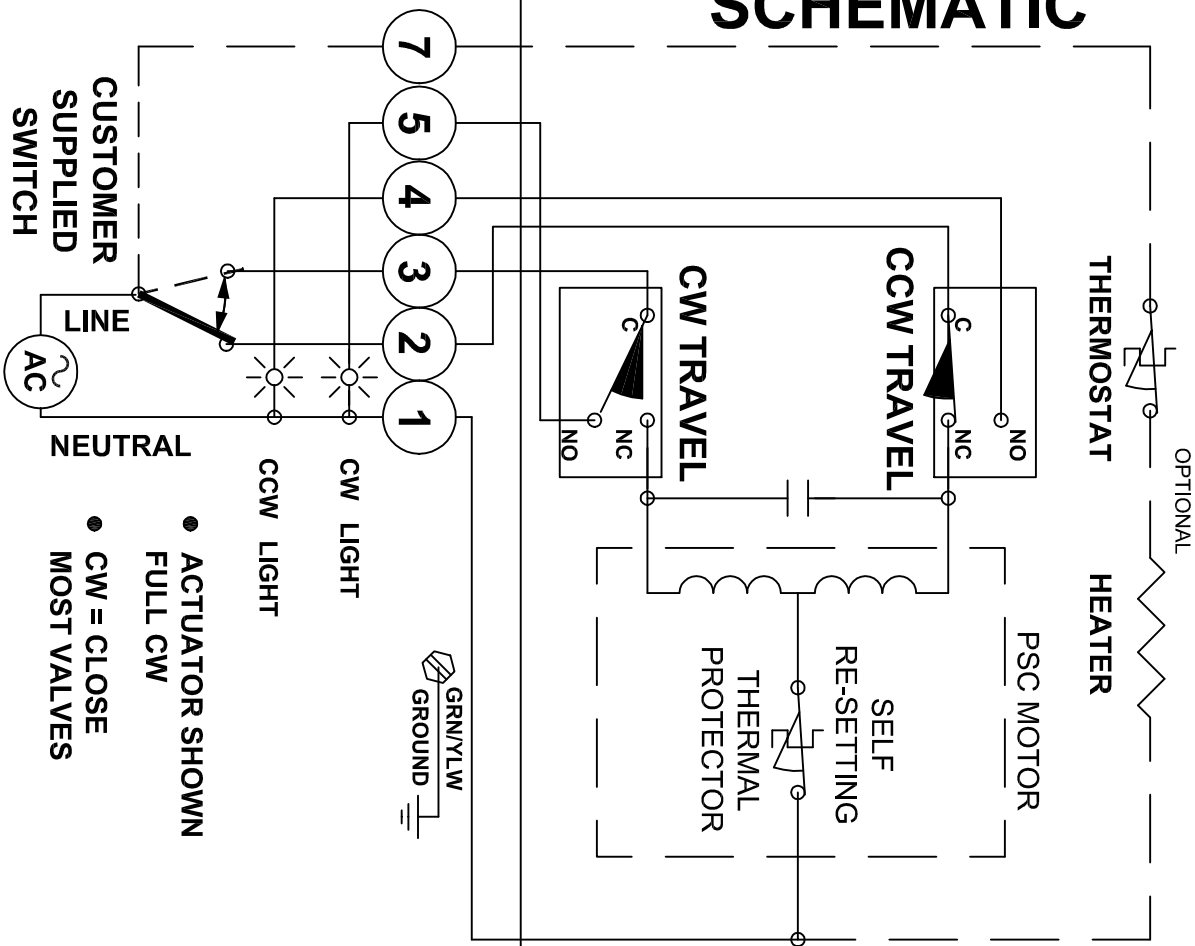
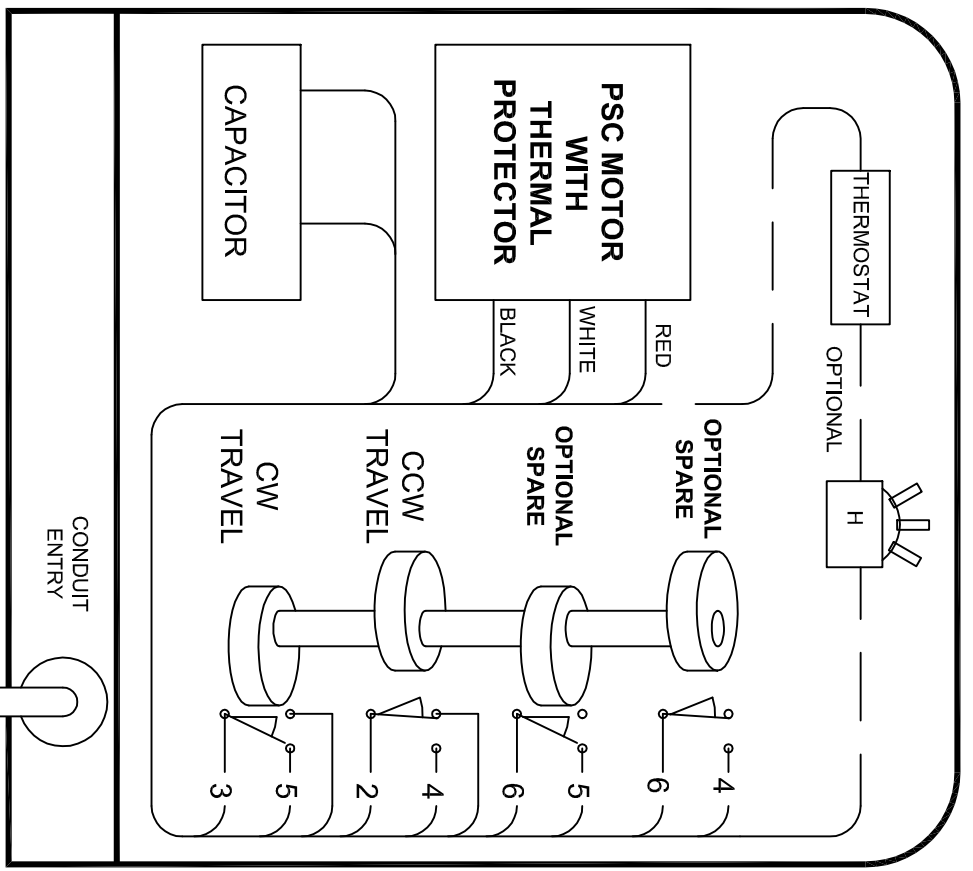


SCHEMATIC



EXT. INTERNAL WIRING



- 1 MOTOR COMMON
- 2 CCW TRAVEL
- 3 CW TRAVEL
- 4 CCW INDICATOR
- 5 CW INDICATOR
- 6 OPTIONAL - AUX SW - COMM
- 7 OPTIONAL HEATER

PHYSICAL ARRANGEMENT

- ACTUATOR SHOWN FULL CW
- CW = CLOSE MOST VALVES